

Wall mounted receptacle Cepex

Part number: 4803



MENNEKES
Elektrotechnik GmbH & Co. KG

Aloys-Mennekes-Straße 1
57399 Kirchhundem
GERMANY

www.MENNEKES.org

Product Description

- screw connection technology
- internal fixing
- enclosure can be turned 180°

Technical Details

Wall mounted receptacle Cepex	4803
Product serie	Cepex
Ampere	16A
Number of poles	4p
Clock position	6h
Nominal voltage AC	400V
Nominal frequency	50 - 60 Hz
Protection type IP	IP54
Contact carrier	standard
X-CONTACT	no
Connection	screw terminals
Contact screw drive	PZ2, slot
Pilot contact	without pilot contact
Pilot contact switch	no
Blind cable entry at the rear	no
Enclosure base can be turned 180°	yes
Insertion direction	straight
Type of mounting	internal fixing
Highly resistant to chemicals	no
Military version	no
Lockable	no
Labeling field	no
Tightening torque connection terminal	1.2 Nm
Strip length solid conductor	8 - 10 mm
Conductor cross-section min.	1.5 mm ²
Conductor cross-section max.	4 mm ²
Weight (net)	308 g

Wall mounted receptacle Cepex	4803
Packaging unit	8 pcs
Quantity per pallet	720 pcs
EAN / identification number	4015394315155

Permissible ambient conditions

	Min.	Max.
Permanent ambient temperature	-25 °C	40 °C
Average temperature over 24 hours		35 °C

Material properties

Base	PC/ASA light grey [similar RAL 7035]
Upper part	PC/ASA light grey [similar RAL 7035]
Hinged lid	PC/ASA light grey [similar RAL 7035]

Material resistance

The material resistance overview can be found on the website in the section “Knowledge” - “Product knowledge” - “Materials”.

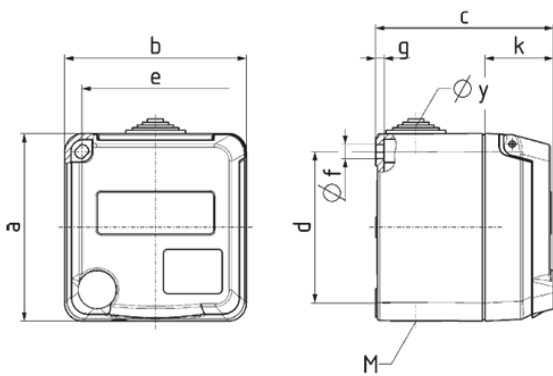
Material and environmental properties

RoHS 2011/65/EU incl. 2015/863/EU	✓
POP regulation (EU) 2019/1021	✓

Regulations and Standards

Norm	DIN EN IEC 60309-2
Declaration of Conformity	CE

Dimensional Drawing



Drawing 1 MB 746	Amp. Poles	16			32			
		2p+E	3	4	5	3	4	5
Dim. in mm	a	93	93	93	93	93	93	93
	b	90	90	90	90	90	90	90
	c	89	89	89	89	101	101	101
	d	75	75	75	75	75	75	75
	e	73	73	73	73	73	73	73
	f	5.5	5.5	5.5	5.5	5.5	5.5	5.5
	g	4.2	4.2	4.2	4.2	4.2	4.2	4.2
	k	34	34	34	34	34	34	34
	y	25.5	25.5	25.5	25.5	25.5	25.5	25.5
	M	25x1.5	25x1.5	25x1.5	25x1.5	25x1.5	25x1.5	25x1.5
Terminal for cond. cross section (mm ²) min.-max.		1.5	1.5	1.5	1.5	2.5	2.5	2.5
		2.5	-4	-4	-4	-6	-6	-6